

Project:
Rev.:
Zone:
Location:



GAS BOILING PAN - DIRECT HEATING 50 LT

CODE
CR1014639

MODEL
Q70NP/G650

SERIE
QUEEN 7

GENERAL FEATURES

- 15/10 worktop thickness
- Stainless steel, Scotch-Brite finish
- Sturdy and powerful with compact design
- Depth of 700 mm means it will fit the most common configurations
- Catalogue offers more than 300 standard models
- Worktop, base cabinet, base cabinet with doors and oven versions
- Twin-piece knobs prevent the infiltration of dirt and are watertight
- Gas ranges having burners with various configurations and power ratings: 3,5 kW - 5,7 kW e 7 kW
- Wide range of accessories

The front bar is a new design feature that increases the kitchen's visual importance and offers clear benefits: it is a comfortable place for the chef to lean on; it means you will remain at a safe distance from the worktop and therefore protects from accidentally knocking against both items lying on the worktop and the knobs.



TECHNICAL DETAILS

GAS

GAS BOILING PAN - DIRECT HEATING 50 LT

- Manual water fill.
- Water drained with 2' valve.
- AISI 316 stainless steel container bottom.
- No water in the interspace indicator light.
- safety thermostat to interrupt heating until restore of sufficient water level.
- 2 AISI 304 steel burners on bottom of container.

GAS BOILING PAN - DIRECT HEATING 50 LT

CODE CR1014639	MODEL Q70NP/G650	SERIE QUEEN 7
-------------------	---------------------	------------------

TECHNICAL INFORMATION

SPECIFICATIONS	DATA
CODE	CR1014639
DEFINITION	Q70NP/G650 PENTOLA GAS M60 DIR.50 LT
COMMERCIAL LINE	QUEEN
SUPPLY	MISTA
WIDTH	600 MM
DEPTH	700 MM
HEIGHT	870 MM
NET WEIGHT	60,000
VOLUME	0,365 M3
PACKAGING LENGTH	640,000
PACKAGING WIDTH	870,000
PACKAGING HEIGHT	1100,000
PACKAGING VOLUME	0,600
PACKAGING GROSS WEIGHT	72,000
POWER SUPPLY VOLTAGE STANDARD	220-240V 1N
FREQUENCY	50 Hz
ELECTRIC POWER	0,015 KW
GAS POWER (G30/30 MBAR)	10,50 KW
GAS POWER (G25/25 MBAR)	10,00 KW
IPX PROTECTION	IPX4
CERTIFIED MODEL	Q70NP/G650
CERTIFICATION NUMBER	CE-0085BT0055
CERTIFICATION BODY	0085

GAS BOILING PAN - DIRECT HEATING 50 LT

CODE CR1014639	MODEL Q70NP/G650	SERIE QUEEN 7
-------------------	---------------------	------------------

ACCESSORIESES

CODE	MODEL	DESCRIPTION
MA97347000	XP9-C5	BOILING PAN BASKET 50LT XP9-C5
MA97348000	XP9-CV5	BOILING PAN BASKET 50LT XP9-CV5
CR0599730	7C8	BASKET FOR PASTA 1 SECTION FOR BOILING PAN - 80 Lt. HOLE Ø 3 MM
CR0599740	7CV8	BASKET FOR VEGETABLE 80LT XP7CV8
MA97349000	XP9-I5	DRAIN FUNNEL X 50LT XP9-I5
CR0592790	ZA80	FRONT PLINTH
CR0982789	ZL90	SIDE PLINTH SERIE 900
MA97432000	NXR	SET OF WHEELS NXR
CR0592869	CR0592869	4 PIEDI X INSTALL.SU ZOCCOLO DI CEMENTO
CR1015339	QPT	N. 4 PIEDINI IN ACCIAIO INOX PER INSTALLAZIONE SU PIANI
CR0592879	CR0592879	KIT ANTI RIBALTAMENTO 2 PIEDI X N900
CR0592399	NXTVT1	KIT PANNELLI X BASE TECN.1 FRONTE NXTVT1
CR0592409	NXTVT2	KIT PANNELLI X BASE TECN.2 FRONTI NXTVT2
CR1018879	Q90FTDX	FIANCO TERMINALE DESTRO QUEEN
CR1018889	Q90FTSX	FIANCO TERMINALE SINISTRO QUEEN
CR0980019	9CLAT	TUBULAR HANDRAIL LATERALE SERIE 900
BN418031900211	9PRD	PIANO LATERALE RIBALTABILE DESTRO
BN418031900460	9PFD	PIANO LATERALE FISSO DESTRO
BN418031900221	9PRS	PIANO LATERALE RIBALTABILE SINISTRO
BN418031900470	9PFS	PIANO LATERALE FISSO SINISTRO

GAS BOILING PAN - DIRECT HEATING 50 LT

CODE
CR1014639

MODEL
Q70NP/G650

SERIE
QUEEN 7



PRODUCT'S RANGE PLUS



Indirect heating with low-pressure steam generated by the water in the jacket: safe and easy operation thanks to pressure gauge, safety valve and compensating valve.



Stainless-steel pan with AISI316 bottom

Equipment certified for low voltage directive 2014/35 / EU according to the international CB scheme.



May be filled with either hot or cold water.



Thanks to the water jet ingress protection rating, awarded after passing specific tests, knobs and knob bezels can be washed at the end of the working day without affecting performance or safety.



The front bar is a comfortable place for the chef to lean on; it means you will remain at a safe distance from the worktop and therefore protects from accidentally knocking against both items lying on the worktop and the knobs.

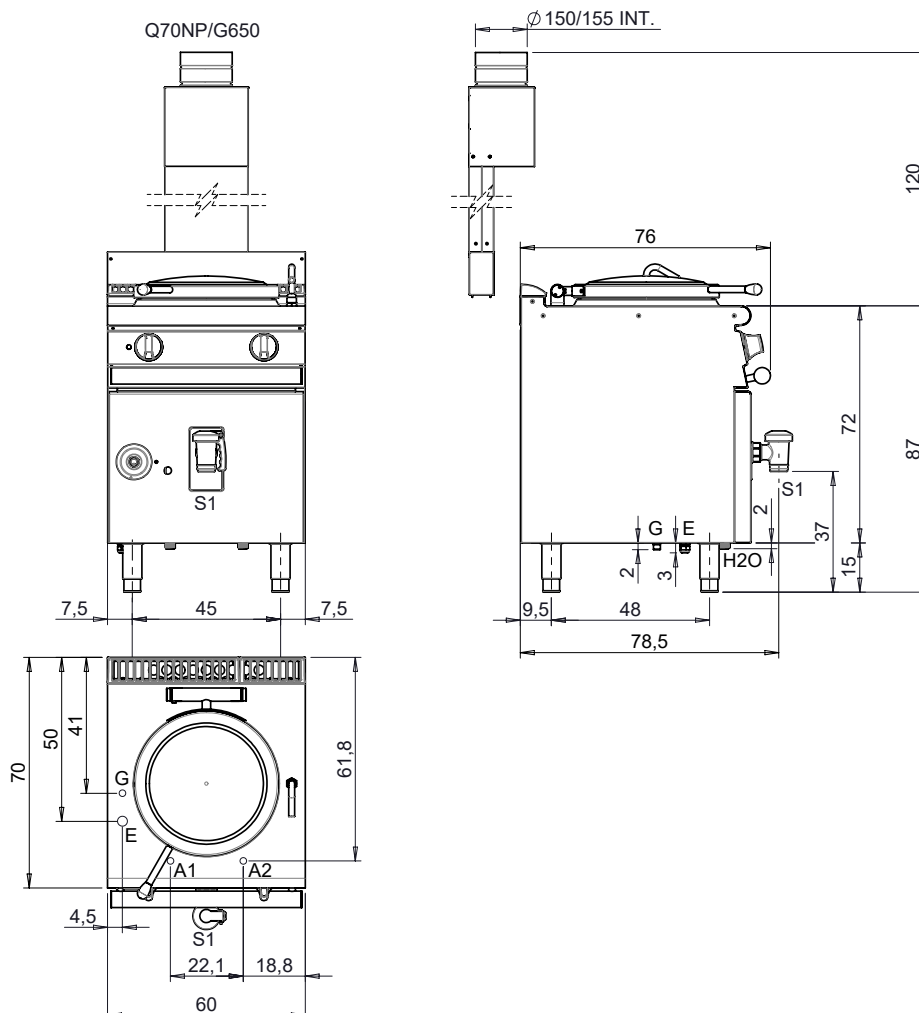
GAS BOILING PAN - DIRECT HEATING 50 LT

CODE
CR1014639

MODEL
Q70NP/G650

SERIE
QUEEN 7

MISURE IN cm - DIMENSIONS IN cm - ABMESSUNGEN IN cm - MESURES EN cm
MEDIDAS EN cm - MATEN IN cm - DIMENSIONES EN cm



Legenda - Legende - Key - Légende - Leyenda - Legenda - Legenda

<p>E Pressacavo entrata linea elettrica - Stopfbuchse - Electric cable stress relief - Presse étoupe de câble él - Pisacable - Elektrische kabelwartel - Entrada cabo eléctrico</p>	<p>G Arrivo gas - Gasanschluss - Gas connection - Arrivée gaz - Union de gas - Gasaansluiting - Ligação gás EN 10226-1 R 1/2; EN ISO 228-1 G 1/2 (DK)</p>
<p>S Attacco scarico acqua - Wasserablauf - Water outlet - Vidange de l'eau - Desaguadero - Wateraftapaansluiting - Junção descarga água</p>	<p>H20 Arrivo acqua - Wasseranschluss - Water inlet - Arrivée eau - Union de água - Wateraansluiting - Junção alimentação água</p>
<p>S1 Scarico vasca - Wannenabflussrohr - Pan outlet - Vidange du bac - Descarga cuba - Water toevoer - Descarga da cuba 1 1/2"</p>	<p>A1 = Calda - Heiss - Warm - Chaude - Caliente - Warm - Morno A2 = Fredda - Kalt - Cold - Froid - Fria - Koude - Frio EN ISO 228-1 G3/4</p>
<p>S2 Valvola di depressione - Anti-depression valve - Unterdruck ventil - Soupape de dépression - Válvula de depresión - Onderdrukklep - Válvula de depressão</p>	<p>L Rubinetto di livello - Level tap - Wasserhahn - Robinet de niveau - Grifo de nivel - Niveaakraan - Torneira de nível</p>
<p>S3 Scarico acqua intercapedine - Wasserablauf Zwischenraum - Jacket water drain Evacuation eau double envelope - Descarga de água intersticios - Afvoer water tussenruimte - Descarga de água na marmitta com Sistema de aquecimento indirecto</p>	
<p>S4 Scarico - Abflussrohr - Drain - Tuyau d'évacuation - Tubo de drenaje - Aftapbuis - Tubulação de dreno</p>	