

Project:
Rev.:
Zone:
Location:



ELECTRIC PASTA COOKER 18,5 L.

CODE
CR0856149

MODEL
6NCP/E400

SERIE
SERIE 600

GENERAL FEATURES

A line of compact cooking appliances, designed for people who do not want to give up on high performance, even in small spaces. Made of AISI 304 18/10 stainless steel, elegantly finished with Scotch Brite satin finish, it has rounded edges and capacious recessed areas; it is 600/650 mm deep and has a modular width of 400/600/700/800/1000 mm; the series comes complete with open base supports, with cupboards or refrigerated bases. The appliances can be easily put together to build a unit, that is compact, without any gaps thanks to a covering profile that guarantees protection against leaks and therefore excellent hygiene. High flues, ergonomic knobs mounted on a sloped control panel for better visibility, make this range easy to use from the very first time. All models are CE-approved.



TECHNICAL DETAILS

ELECTRIC PASTA COOKER 18,5 L.

These appliances are equipped with high power to maintain the water at boiling point. The tray has a sufficiently wide surface to make sure that the foam formed by the dissolved starches drains away and stops it from leaking out. The appliance has a safety thermostat and an operation light.

ELECTRIC PASTA COOKER 18,5 L.

CODE
CR0856149

MODEL
6NCP/E400

SERIE
SERIE 600

TECHNICAL INFORMATION

SPECIFICATIONS	DATA
CODE	CR0856149
DEFINITION	CUOCIPASTA EL.60 M40 6NCP/E400
COMMERCIAL LINE	SERIE 600
SUPPLY	ELETTRICA
WIDTH	400 MM
DEPTH	600 MM
HEIGHT	295 MM
NET WEIGHT	42,400
VOLUME	0,071 M3
PACKAGING LENGTH	780,000
PACKAGING WIDTH	450,000
PACKAGING HEIGHT	680,000
PACKAGING VOLUME	0,239
PACKAGING GROSS WEIGHT	48,000
POWER SUPPLY VOLTAGE STANDARD	380-415V 3N
FREQUENCY	50-60 Hz
ELECTRIC POWER	5,670 KW
IPX PROTECTION	IPX4
CERTIFIED MODEL	6NCP/E400
CERTIFICATION NUMBER	-

ELECTRIC PASTA COOKER 18,5 L.

CODE CR0856149	MODEL 6NCP/E400	SERIE SERIE 600
-------------------	--------------------	--------------------

ACCESSORIESES

CODE	MODEL	DESCRIPTION
CR0858029	6P4D/S	PORTINA PER BASE 400
CR0858059	6P6D/S	PORTINA PER BASE 600
CR0858039	6P7D/S	SET 2 DOORS PER BASE 700
MA10405042000	6PIC4	SHELF FOR SUPPORTS
MA10405043000	6PIC6	SHELF FOR SUPPORTS
CR0858079	6PIC7	RIPIANO PER CAVALLETTO
MA10405099000	6PIC8	SHELF FOR SUPPORTS
CR0858149	C70X-GRFVS	CHROME GRID FOR OVEN 650 SERIES
CR0858159	C70X-TFVS	STAINLESS STEEL TRAY FOR OVEN
CR0858009	6CS 4	KIT DRAWERS PER BASE 400
CR0858049	6CS 60	KIT DRAWERS PER BASE 600
MA10405014900	6CGN	COPRIGIUNTO
MA10405016900	6FC4	BACK CHIMNEY
MA10405017900	6FC6	BACK CHIMNEY
CR0858019	6FC7	BACK CHIMNEY
6FC8	6FC8	CHIMNEY
CR0858069	6FC10	BACK CHIMNEY
6TVA4	6TVA4	FRAME FOR ALIGNMENT COMPARTMENT TO THE REFRIGERATED BASE
6TVA6	6TVA6	FRAME FOR ALIGNMENT COMPARTMENT TO THE REFRIGERATED BASE
6TVA8	6TVA8	FRAME FOR ALIGNMENT COMPARTMENT TO THE REFRIGERATED BASE
8012900010	BOT/2C	BOTTLE
CR0952459	6TBR12.1	FRAME FOR ALIGNMENT COMPARTMENT TO THE REFRIGERATED BASE

ELECTRIC PASTA COOKER 18,5 L.

CODE
CR0856149

MODEL
6NCP/E400

SERIE
SERIE 600



The tank has fully radial corners.
The pasta cookers are fitted with a
water inlet tap.

ELECTRIC PASTA COOKER 18,5 L.

CODE
CR0856149

MODEL
6NCP/E400

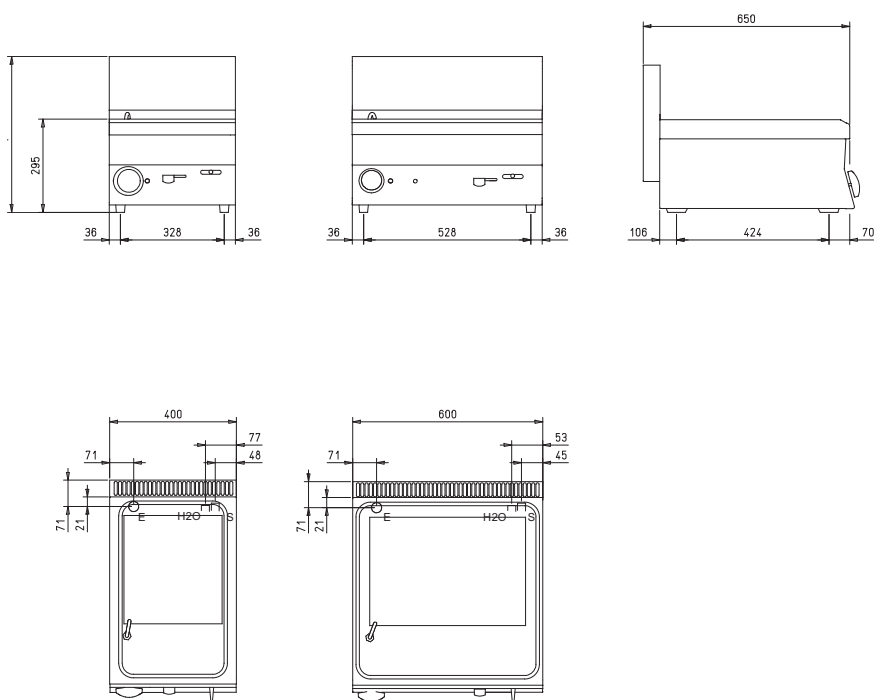
SERIE
SERIE 600

SCHEMA DI INSTALLAZIONE - INSTALLATION DIAGRAM - INSTALLATIONSPLAN - SCHÉMA D'INSTALLATION - ESQUEMA DE INSTALACION -INSTALLATIESCHEMA - IINSTALLATIONSRTNINGAR

MISURE IN mm - DIMENSIONS IN mm - ABMESSUNGEN IN mm
MESURES EN mm - MEDIDAS EN mm - MATEN IN mm

OPC64E
EDE62120T

OPC66E
EDE63128T



Legenda - Legende - Key - Legende - Leyenda - Legenda - Legenda

- E Pressacavo entrata linea elettrica - Stopfbuchse
Electric cable stress relief - Presse étouff de cable el
Pisacable - Elektrische kabelwartel - Entrada cabo eléctrico
- H20 Attacco arrivo acqua Wasseranschluss Water inlet
Arrivée eau Union de agua - Wateraansluiting - Jun Do alimenta Do Água
EN 10226 1 R 1/2
- S Attacco scarico acqua Wasserablauf Water outlet
Vidange de l'eau Desaguadero Wateraftapaansluiting - Jun Do descarga Água
EN 10226 1 R 1/2