

## ELECTRIC BAIN MARIE 2 X GN1/1 ON OPEN CUPBOARD

Project: .....  
Rev.: .....  
Zone: .....  
Location: .....



CODE  
CR1017949

MODEL  
Q90BMV/E800

SERIE  
QUEEN 9

### GENERAL FEATURES

- AISI 304 stainless-steel bases and worktops, Scotch-Brite finish
- Depth of 900 mm for high power and performance
- Catalogue offers more than 350 standard models
- Worktop, base cabinet, base cabinet with doors and oven versions
- 20/10 worktop thickness
- Twin-piece knobs prevent infiltration of dirt and have an IPX5 water ingress protection rating
- Gas ranges having burners with various configurations and power ratings: 3.5 kW - 5.7 kW, 7 kW and 10 kW. Double-ring burners for 7 and 10 kW models
- Wide range of accessories

The knobs offer optimum grip and help the chef to have the setting controls right under his eyes. Special attention has also been paid to the knob bezel that has been expertly designed to avoid penetration of liquids and/or dirt. Thanks to the IPX5 water jet ingress protection rating, awarded after passing specific tests, knobs and knob bezels can be washed at the end of the working day without affecting performance or safety.



### TECHNICAL DETAILS

#### ELECTRIC

#### ELECTRIC BAIN MARIE 2 X GN1/1 ON OPEN CUPBOARD

- Suitable for preserving dishes below 100°C and for extremely delicate cooking
- 40 module: tub dimensions 1xGN1/3 + 1xGN 1/1
- 80 module: tub dimensions 2xGN1/3 + 2xGN 1/1
- Heated via armoured heating elements outside the tub
- Adjustment thermostat

## ELECTRIC BAIN MARIE 2 X GN1/1 ON OPEN CUPBOARD

CODE  
CR1017949

MODEL  
Q90BMV/E800

SERIE  
QUEEN 9

### TECHNICAL INFORMATION

SPECIFICATIONS	DATA
CODE	CR1017949
DEFINITION	Q90BMV/E800 BAGNOMARIA EL. M80 A/G
COMMERCIAL LINE	QUEEN
SUPPLY	ELETTRICA
WIDTH	800 MM
DEPTH	900 MM
HEIGHT	870 MM
NET WEIGHT	123,800
VOLUME	0,626 M3
PACKAGING LENGTH	860,000
PACKAGING WIDTH	1020,000
PACKAGING HEIGHT	1150,000
PACKAGING VOLUME	1,010
PACKAGING GROSS WEIGHT	139,000
POWER SUPPLY VOLTAGE STANDARD	380-415V 3N
FREQUENCY	50-60 Hz
ELECTRIC POWER	5,400 KW
IPX PROTECTION	IPX5
CERTIFIED MODEL	Q90BMV/E800
CERTIFICATION NUMBER	-

## ELECTRIC BAIN MARIE 2 X GN1/1 ON OPEN CUPBOARD

CODE CR1017949	MODEL Q90BMV/E800	SERIE QUEEN 9
-------------------	----------------------	------------------

### ACCESSORIESES

CODE	MODEL	DESCRIPTION
CR1018839	QP12	Base door L 400
CR1018859	QKC21	KIT DRAWERS GN2/1 H150
CR1015359	QRG21	SET OF TRY SLIDES GN 2/1
CR0592790	ZA80	FRONT PLINTH
CR0982789	ZL90	SIDE PLINTH SERIE 900
MA97432000	NXR	SET OF WHEELS NXR
MA97433000	NXRI	SET OF WHEELS INOX NXRI
CR1015369	QCH20	DIRECTABLE WATER FLUE
CR0592869	CR0592869	4 PIEDI X INSTALL.SU ZOCCOLO DI CEMENTO
CR1015339	QPT	N. 4 PIEDINI IN ACCIAIO INOX PER INSTALLAZIONE SU PIANI
CR0592879	CR0592879	KIT ANTI RIBALTAMENTO 2 PIEDI X N900
CR0592399	NXTVT1	KIT PANNELLI X BASE TECN.1 FRONTE NXTVT1
CR0592409	NXTVT2	KIT PANNELLI X BASE TECN.2 FRONTI NXTVT2
CR1018879	Q90FTDX	FIANCO TERMINALE DESTRO QUEEN
CR1018889	Q90FTSX	FIANCO TERMINALE SINISTRO QUEEN
CR0980009	CANT	TUBULAR HANDRAIL FRONTALE (AL METRO LINEARE)
CR0980019	9CLAT	TUBULAR HANDRAIL LATERALE SERIE 900
BN418031900211	9PRD	PIANO LATERALE RIBALTABILE DESTRO
BN418031900460	9PFD	PIANO LATERALE FISSO DESTRO
BN418031900221	9PRS	PIANO LATERALE RIBALTABILE SINISTRO
BN418031900470	9PFS	PIANO LATERALE FISSO SINISTRO
BN8031920110		

## ELECTRIC BAIN MARIE 2 X GN1/1 ON OPEN CUPBOARD

CODE  
CR1017949

MODEL  
Q90BMV/E800

SERIE  
QUEEN 9

# PRODUCT'S RANGE PLUS

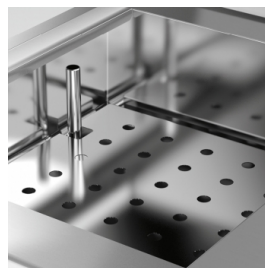


Integrated water tap in the tank



Different combinations of GN basins Examples: M40: 1xGN1/3 + 1xGN 1/1 M80: 2xGN1/3 + 2xGN 1/1

Equipment certified for low voltage directive 2014/35 / EU according to the international CB scheme.



Pan temperature control with overflow and perforated false bottom to support pans. GN pan size.



Thanks to the IPX5 water jet ingress protection rating, awarded after passing specific tests, knobs and knob bezels can be washed at the end of the working day without affecting performance or safety.



The front bar is a comfortable place for the chef to lean on; it means you will remain at a safe distance from the worktop and therefore protects from accidentally knocking against both items lying on the worktop and the knobs.

# ELECTRIC BAIN MARIE 2 X GN1/1 ON OPEN CUPBOARD

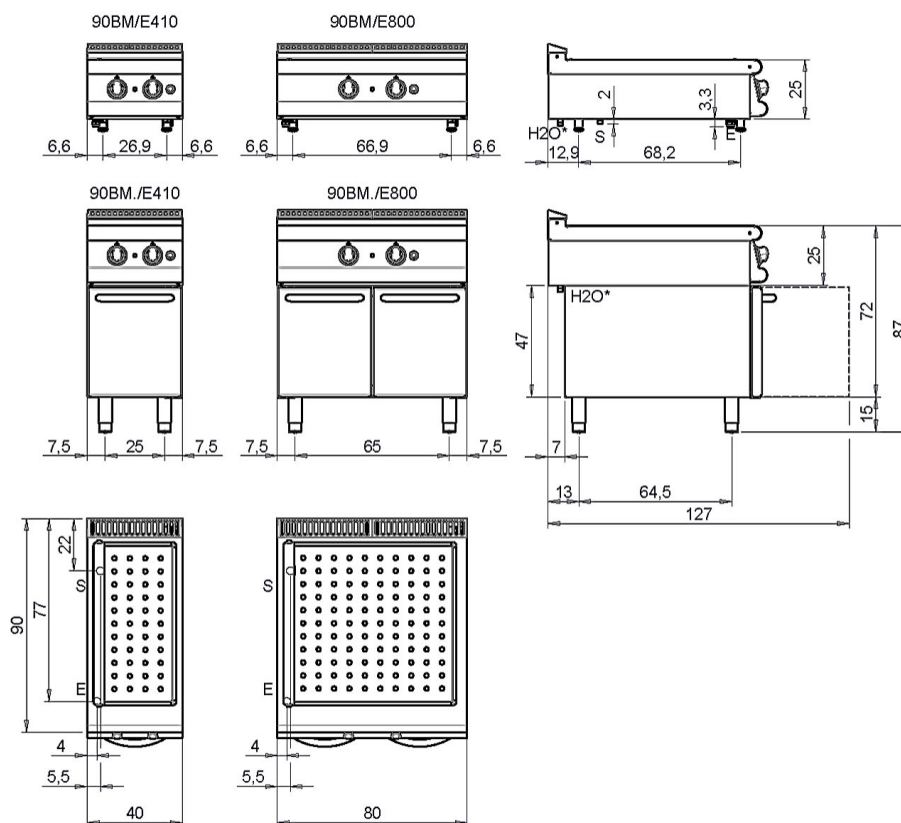
CODE  
CR1017949

MODEL  
Q90BMV/E800

SERIE  
QUEEN 9

## SCHEMA DI INSTALLAZIONE - INSTALLATION DIAGRAM - INSTALLATIONSPLAN - SCHÉMA D'INSTALLATION - ESQUEMA DE INSTALACION -INSTALLATIESCHEMA - IINSTALLATIONSRTNINGAR

MISURE IN cm - DIMENSIONS IN cm - ABMESSUNGEN IN cm- MESURES EN cm  
MEDIDAS EN cm - MATEN IN cm - DIMENSIONES EN cm



### Legenda - Legende - Key - Légende - Leyenda - Legenda - Legenda

<b>E</b> Pressacavo entrata linea elettrica - Stopfbuchse - Electric cable stress relief - Presse étoupe de câble él - Pisacable - Elektrische kabelwartel - Entrada cabo eléctrico	<b>G</b> Arrivo gas - Gasanschluss - Gas connection - Arrivée gaz - Union de gas - Gasaansluiting - Ligaçào gás
<b>S</b> Attacco scarico acqua - Wasserablauf - Water outlet - Vidange de l'eau - Desaguadero - Wateraftapaansluiting - Junção descarga água <b>EN ISO 228-1 G1</b>	<b>H20</b> Arrivo acqua - Wasseranschluss - Water inlet - Arrivée eau - Union de agua - Wateraansluiting - Junção alimentação água <b>EN ISO 228-1 G1/2</b>
<b>S1</b> Scarico vasca - Wannenabflusrohr - Pan outlet - Vidange du bac - Descarga cuba - Water toevoer - Descarga da cuba	<b>A1</b> Calda - Heiss - Warm - Chaude - Caliente - Warm - Morno <b>A2</b> Fredda - Kalt - Cold - Froid - Fria - Koude - Frio
<b>S2</b> Valvola di depressione - Anti-depression valve - Unterdruck ventil - Soupape de dépression - Válvula de depésión - Onderdrukklep - Válvula de depressão	<b>L</b> Rubinetto di livello - Level tap - Wasserhahn - Robinet de niveau - Grifo de nível - Niveaakraan - Torneira de nível
<b>S3</b> Scarico acqua intercapedine - Wasserablauf Zwischenraum - Jacket water drain Evacuation eau double envelope - Descarga de agua intersticios - Afvoer water tussenruimte - Descarga de água na marmita com Sistema de aquecimento indirecto	
<b>S4</b> Scarico - Abflusrohr - Drain - Tuyau d'évacuation - Tubo de drenaje - Afloopbuis - Tubulação de dreno	