



**FEATURES**

- Oil lubricated rotary vane vacuum pump, nominal speed 60 m<sup>3</sup>/h;
- Vacuum level control through high precision sensor;
- Maximum vacuum 99,95% (0,5 millibar);
- Standard 2x620mm or 2x505mm sealing bars, easily removable for cleaning;
- Removable sealing bar lifting device, with sealing cap for cleaning;
- Digital control panel with 6 keys and 6 digit display;
- 10 editable programs;
- Program for vacuum packaging in containers;
- Adjustable sealing intensity;
- Pump oil dehumidification program "H2Out";
- Resettable oil change alarm;
- Analog vacuum gauge for displaying the vacuum level;
- AISI304 Stainless steel vacuum chamber with 2,5mm constant thickness;
- AISI304 stainless steel machine body with four wheels, two of which with brakes; easily accessible pump oil drain;
- High-thickness PMMA (Plexiglass) lid with polished and rounded edges; opens automatically at the end of the cycle;
- Chromed aluminum die-cast hinges;
- Thermal welding protection system;
- 3 PE-filling plates for product adjustment and cycle speed up.

**DESCRIPTION**

Levac C62 is a floor model made entirely of AISI304 stainless steel, equipped with a 60m<sup>3</sup>/h pump, with digital control panel, vacuum sensor and double sealing bar, equippable with inert gas injection. It is characterized by extreme robustness, ease of use and attention to detail. The standard of quality and reliability of the packaging machine and its components is the result of over twenty years of presence and wide diffusion on the global market of this model, in all areas and in all sectors.



**SEALING BAR 620-505 mm**  
**VACUUM PUMP 60 m<sup>3</sup>/h**  
**SENSOR CONTROL**

**OPTIONALS**

- Inert gas injection with 4+4 or 3+3 nozzles

**ACCESSORIES (NOT INCLUDED)**

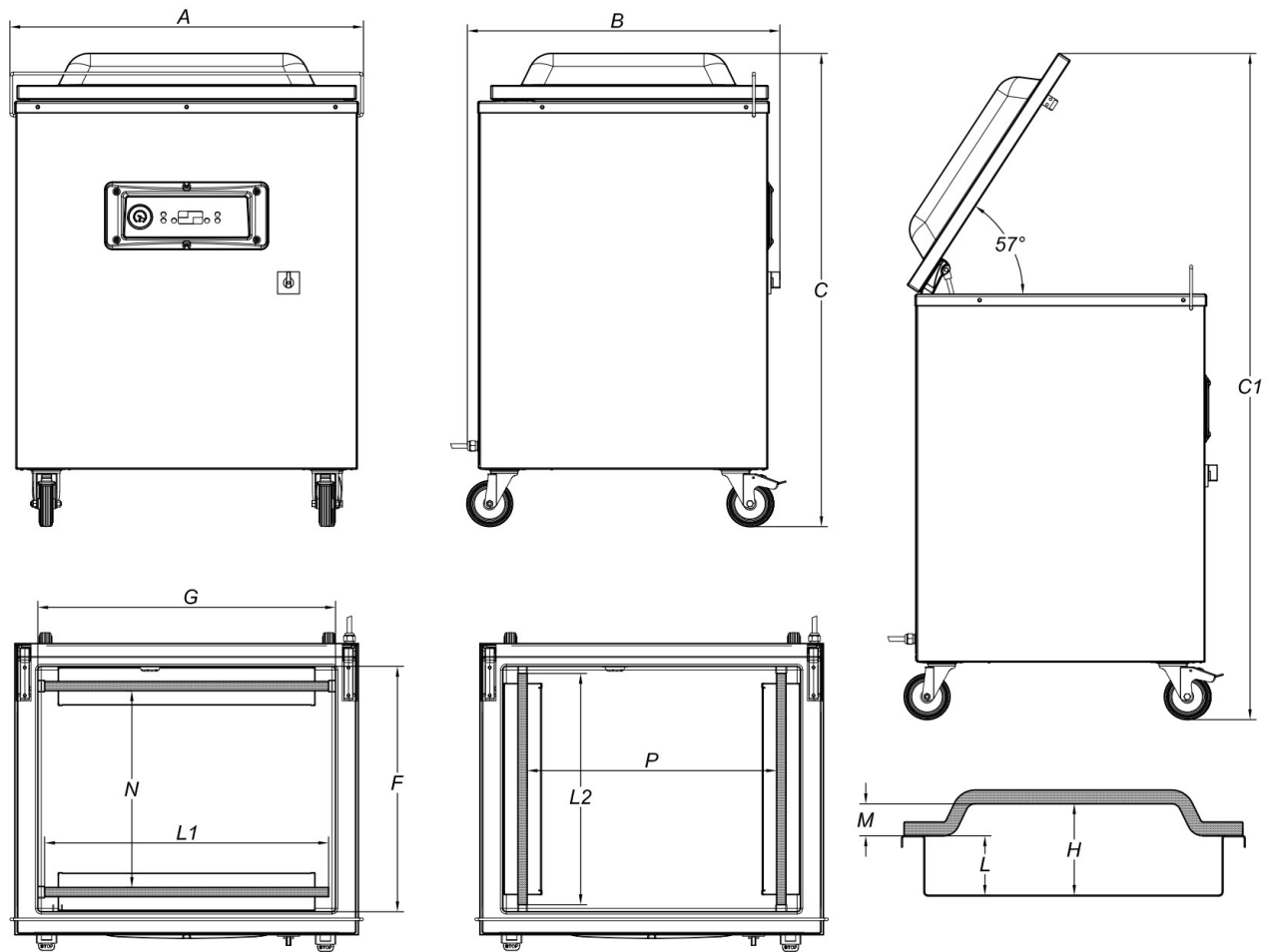
- Bags for storage, cooking and "cook & chill"; embossed bags;
- Inclined stainless steel plate for liquid packing;
- Stainless steel vacuum containers; suction device.



PROJECT	DATE	APPROVED
ITEM	QTY	

VACUUM PACKAGING MACHINES LEVAC C62

UPDATED:  
30/01/2023



## SPECIFICATIONS

Length of seal L1	mm	620
Length of seal L2	mm	505
Nominal pump speed	m <sup>3</sup> /h	60
Final pressure	mbar	0,1
Chamber Size (FxGxH)	mm	536x650x200
Useful space Chamber (N)	mm	430
Useful space Chamber (P)	mm	545
Chamber depth (L)	mm	130
Chamber volume	Lt	61
Power	W	1500
Electrical voltage/Frequency/Phases	V/Hz	400V / 50-60Hz / 3 Ph+PE
Power cord and plug		3m / CEE
Current	A	3,75
Housing materials		Stainless steel (AISI304)
Vacuum chamber material		Stainless steel (AISI304)
Lid material		PMMA (plexiglas)
Overall dimensions (AxBxC)	mm	772x682x1034
Maximum height with open lid (C1)	mm	1455
Weight (with shelves)	kg	168,5
Noise level	dB(A)	66
Environmental operating temperature (min-max)	°C	12-40