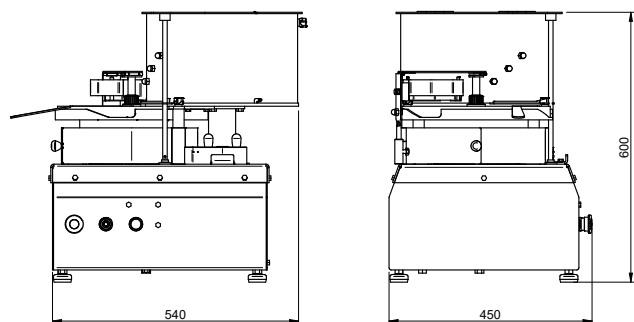


MACHINERY FOR THE
FOOD INDUSTRY



Semi-automatic hamburger former with thickness adjustment and hopper with capacity for 10 Kg of mixture.

- Produces round hamburgers Ø30 to 120mm as well as other shapes.
- Adjustable weight with maximum thickness 15 mm.
- Output: 20 hamburgers / minute.
- Capacity: 10 Kg of mixture.
- Tabletop machine.
- Made of stainless steel.
- Can lay white paper on one side.
- Single-phased, 230V, 50 Hz, 0,38 kW.
- Easy to clean.
- Dimensions: 540 x 450 x 600 mm.
- Weight: 60 Kg.



OPTIONAL ACCESSORIES:

Additional round shaper. Additional double shaper. Additional non round shaper. Paper dispenser 120 mm and 140 mm. Table with stainless steel wheels. Foot-operated pedal.

RELATED MACHINES:

Grinders. Mixers. Vacuum packaging machines. Batter & breading machines. Fryers..