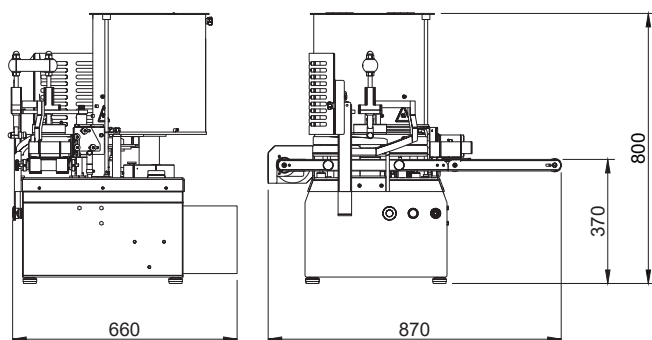


MACHINERY FOR THE
FOOD INDUSTRY

Automatic hamburger former machine with hopper with capacity for 20 Kg of mixture.



- Produces round hamburgers Ø50 to 120mm as well as other shapes.
- Speed: up to 55 hamburgers per minute.
- Thickness: up to 25mm with interchangeable moulds.
- Hamburgers discharged by atmospheric air.
- Speed inverter.
- Tabletop machine.
- Loading capacity: 20 kg.
- No need to stop for reloading.
- Made of stainless steel and suitable plastics.
- Single-phased power supply 220V, 50-60 Hz, 1.100 wattts.
- Uses down to the last 100g of mixture.
- 800 mm output belt.
- Can lay 1 round, oval or square white paper on the hamburger.
- Very easy to clean.
- Dimensions: 870 x 660 x 800 mm
- Weight: 85 Kg.
- Patented system.

OPTIONAL ACCESSORIES::

Additional round shaper. Additional round ejector. Additional non round shaper. Additional non-round ejector. Optional set shape (shaper+ejector+support). Paper dispenser 120 mm and 140 mm. Table with stainless steel wheels. Foot-operated pedal.

RELATED MACHINES:

Grinders. Mixers. Vacuum packaging machines. Batter & breadding machines. Fryers..